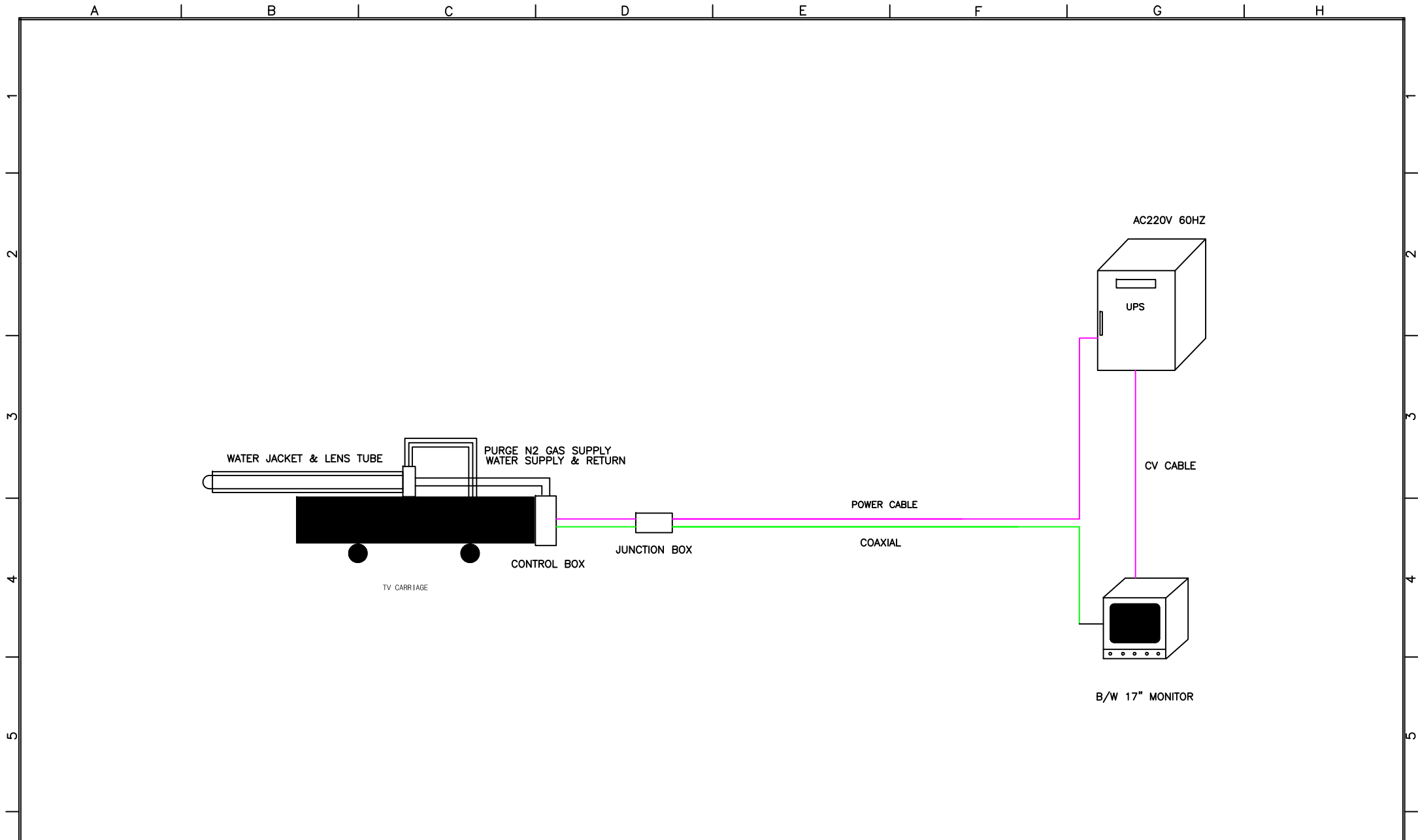


NO	TAG NO.	DESCRIPTION	MONITOR POSITION
①	FB-CM-01	FLOAT BATH TOP ROLL 0L	CONTROL ROOM
②	FB-CM-02	FLOAT BATH TOP ROLL 0R	"
③	FB-CM-03	FLOAT BATH TOP ROLL 1L	"
④	FB-CM-04	FLOAT BATH TOP ROLL 1R	"
⑤	FB-CM-05	FLOAT BATH TOP ROLL 2L	"
⑥	FB-CM-06	FLOAT BATH TOP ROLL 2R	"
⑦	FB-CM-07	FLOAT BATH TOP ROLL 3L	"
⑧	FB-CM-08	FLOAT BATH TOP ROLL 3R	"
⑨	FB-CM-09	FLOAT BATH TOP ROLL 4L	"
⑩	FB-CM-10	FLOAT BATH TOP ROLL 4R	"
⑪	FB-CM-11	FLOAT BATH TOP ROLL 5L	"
⑫	FB-CM-12	FLOAT BATH TOP ROLL 5R	"
⑬	FB-CM-13	FLOAT BATH TOP ROLL 6L	"
⑭	FB-CM-14	FLOAT BATH TOP ROLL 6R	"
⑮	FB-CM-15	FLOAT BATH TOP ROLL 7L	"
⑯	FB-CM-16	FLOAT BATH TOP ROLL 7R	"
⑰	FB-CM-17	FLOAT BATH WATER FENCE LEFT	"
⑱	FB-CM-18	FLOAT BATH WATER FENCE RIGHT	"
⑲	FB-CM-19	FLOAT BATH CARBON PUSHER LEFT	"
⑳	FB-CM-20	FLOAT BATH CARBON PUSHER RIGHT	"

ISSUE	REVISIONS	DRAW.BY	DESI.BY	CHKE.BY	CHKE.BY	APPR.BY	

PROJCT	CCTV SYSTEM FOR TOP ROLL
TITLE	ENDOSCOPE TYPE TV CARRIAGE

		(주) 호원아이엔씨 HOWON Instrument & control Co.,Ltd.	
SCALE	N/S	JOB NO	
DIMENSION	MM	DWG NO	HWIC-FB-CM-001
			SEET. NO 1/32



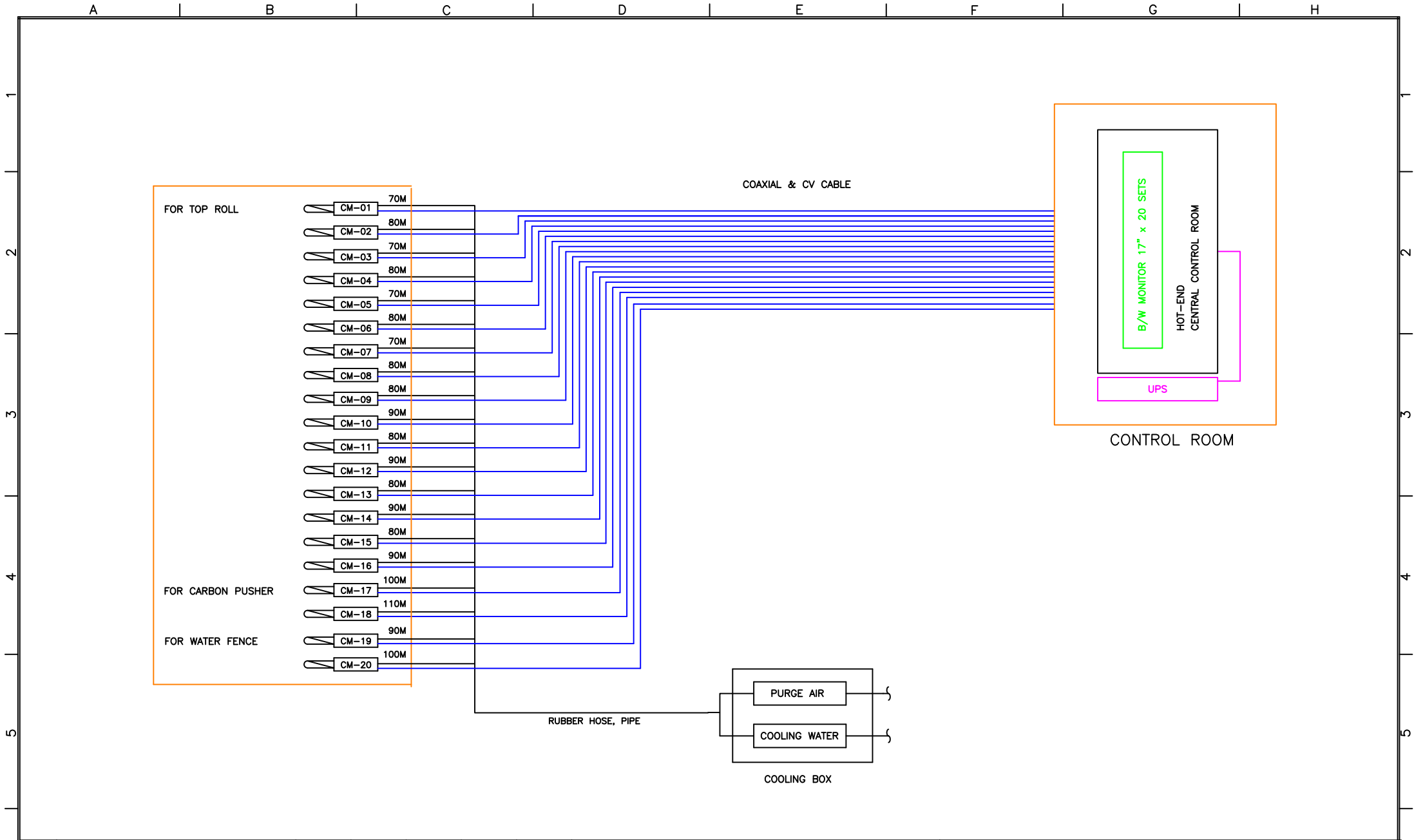
△						
△						
△						
ISSUE	REVISIONS	DRAW.BY	DESI.BY	CHKE.BY	CHKE.BY	APPR.BY

PROJCT
CCTV SYSTEM FOR TOP ROLL

TITLE
BLOCK DIAGRAM #1

HOWON (주) 호원아이엔씨
HOWON Instrument & control Co.,Ltd.

SCALE	N / S	JOB NO	-	SEET.NO
DIMENSION	MM	DWG NO	HWIC-FB-CM-002	2 / 32



△						
△						
△						
ISSUE	REVISIONS	DRAW.BY	DESI.BY	CHKE.BY	CHKE.BY	APPR.BY

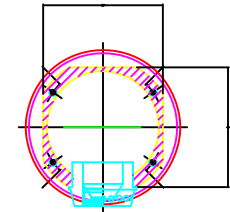
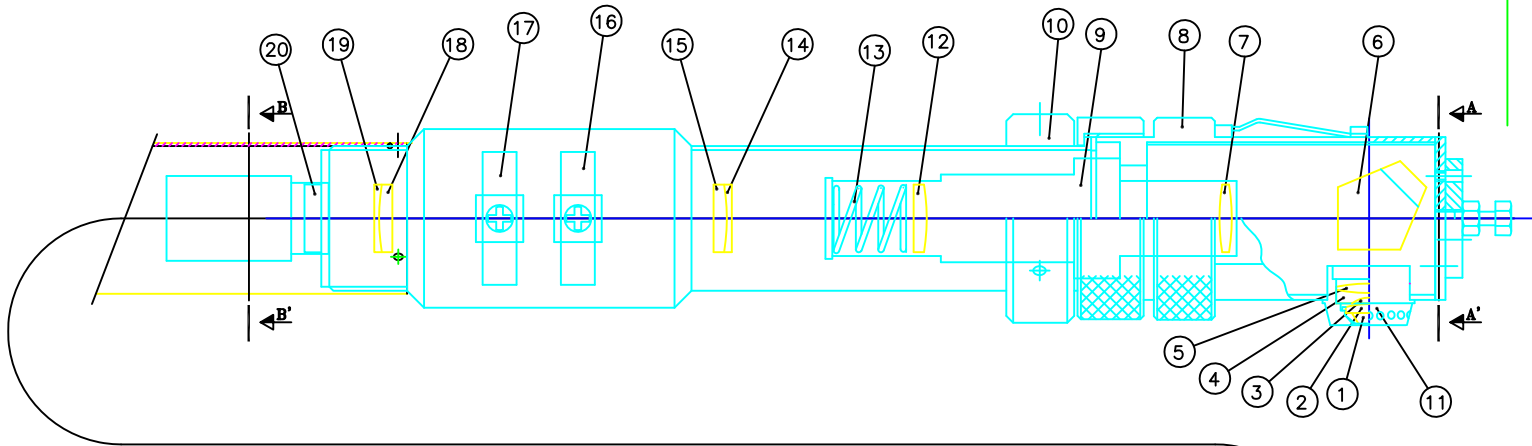
PROJCT
CCTV SYSTEM FOR TOP ROLL

TITLE
BLOCK DIAGRAM #2

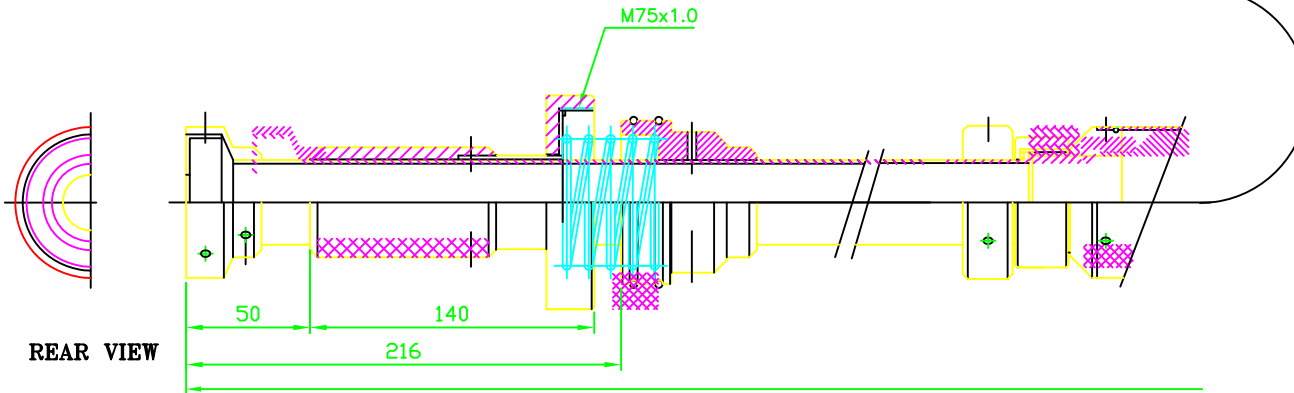
SCALE		N S	JOB NO	— —		SEET.NO
				— —		
DIMENSION		MM	DWG NO	HWIC-FB-CM-003		3 / 32



3945



SECTION A-A'



REAR VIEW

NOTE

1. G1 WINDOW
2. G2 FRONT LENS 100' 1/2" OBJ.CELL
3. G3 FRONT LENS 100' 1/2" OBJ.CELL
4. G4 FRONT LENS 100' 1/2" OBJ.CELL
5. G5 FRONT LENS 100' 1/2" OBJ.CELL
6. G6 FRONT LENS 100' 1/2" OBJ.CELL
7. G7 REAR LENS ELEMENT 100'
8. LENS OBJ.CELL BODY
9. INNER LINER TUBE
10. TEPLON
11. LENS HOLDER
12. G8 REAR LENS ELEMENT
13. SPRING
14. G9 LENS ACHROMAT RELAY(FRONT)
15. G2 LENS ACHROMAT RELAY(REAR)
16. FOCUS REGULATOR
17. IRIS REGULATOR
18. G11 LENS ACHROMAT RELAY(FRONT)
19. G12 LENS ACHROMAT RELAY(REAR)
20. CAMERA MOUNT

△						
△						
△						
ISSUE	REVISIONS	DRAW.BY	DESI.BY	CHKE.BY	CHKE.BY	APPR.BY

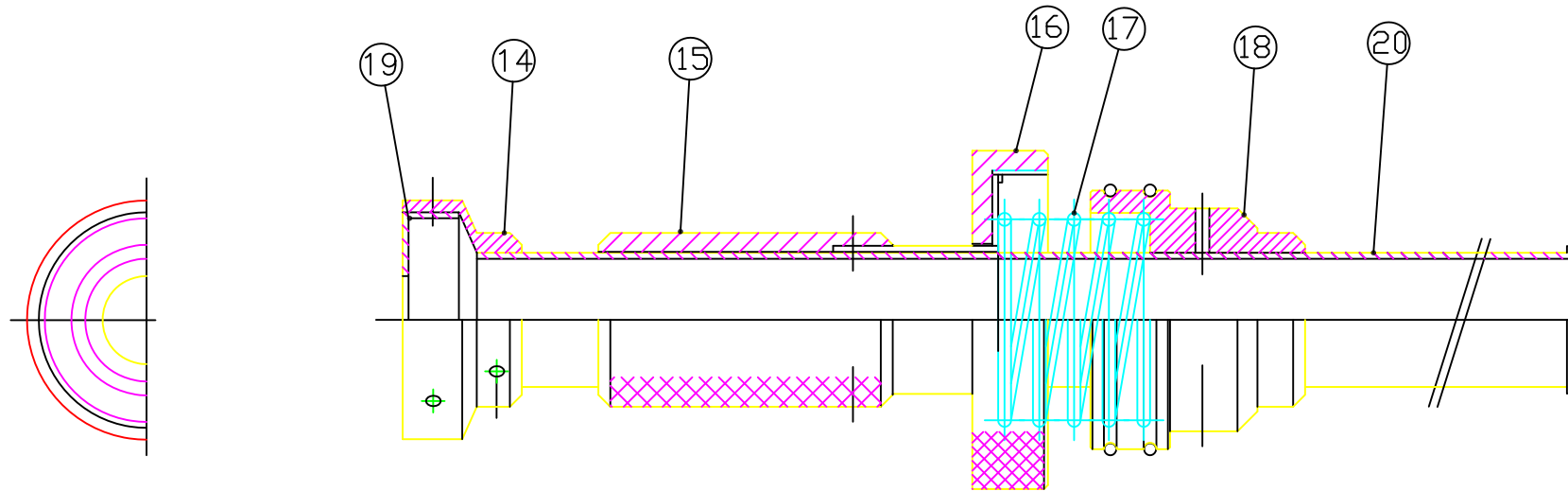
PROJCT
CCTV SYSTEM FOR TOP ROLL

TITLE
ENDOSCOPE LAYOUT



(주) 호원아이엔씨
HOWON Instrument & control Co.,Ltd.

SCALE	N	S	JOB NO		SEET.NO
DIMENSION	MM		DWG NO	HWIC-FB-CM-004	4 / 32



REAR VIEW

△						
△						
△						
ISSUE	REVISIONS	DRAW.BY	DESI.BY	CHKE.BY	CHKE.BY	APPR.BY

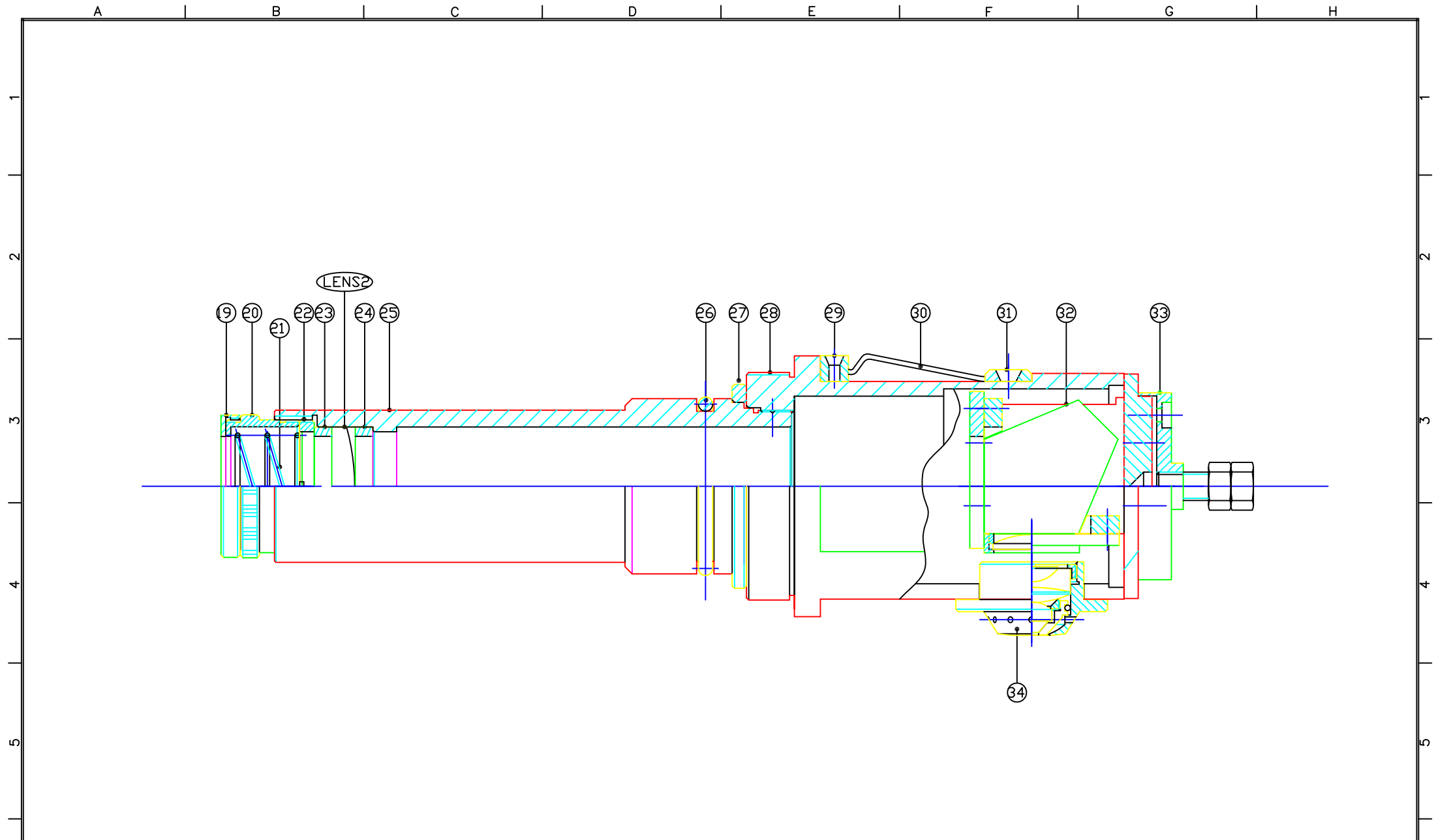
PROJCT
CCTV SYSTEM FOR TOP ROLL

TITLE
ENDOSCOPE REAR ASSEMBLY

HOWON (주) 호원아이엔씨
HOWON Instrument & control Co.,Ltd.

SCALE	N	S	JOB NO	-	-	SEET.NO
DIMENSION	MM	DWG NO	HWIC-FB-CM-005			5

32



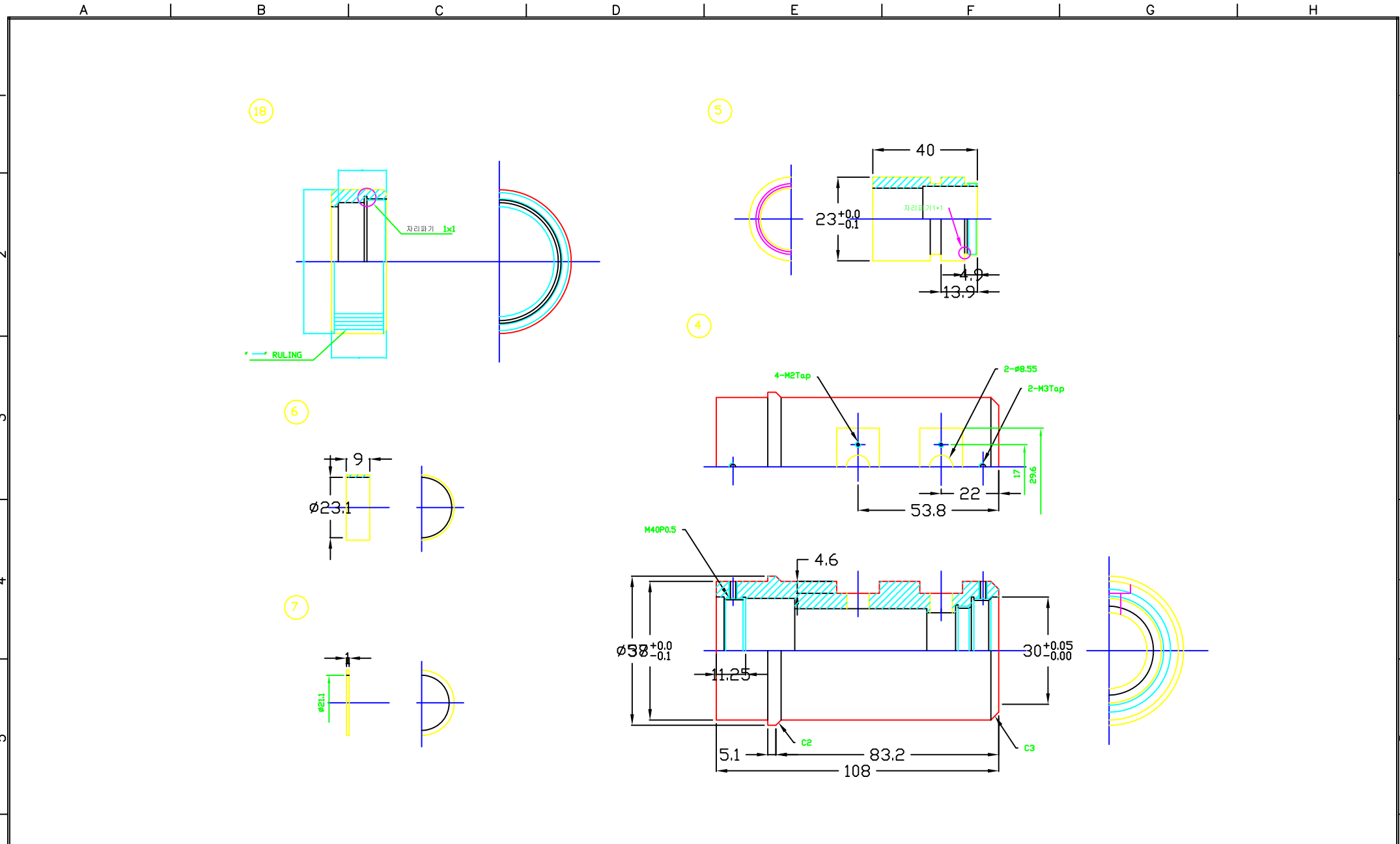
△						
△						
△						
ISSUE	REVISIONS	DRAW.BY	DESI.BY	CHKE.BY	CHKE.BY	APPR.BY

PROJCT
CCTV SYSTEM FOR TOP ROLL

TITLE
ENDOSCOPE FRONT ASSEMBLY

SCALE		N	S	JOB NO	-		SEET.NO
				DWG NO	HWIC-FB-CM-006		6
DIMENSION		MM					32






△						
△						
△						
ISSUE	REVISIONS	DRAW.BY	DESI.BY	CHKE.BY	CHKE.BY	APPR.BY

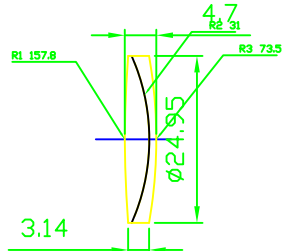
PROJCT
CCTV SYSTEM FOR TOP ROLL

TITLE
DETAIL PARTS #1

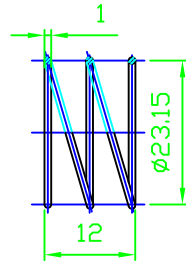
SCALE		N / S		JOB NO	-		SEET.ND
		DIMENSION		MM	DWG NO	HWIC-FB-CM-007	


 (주) 호원아이엔씨
 HOWON Instrument & control Co.,Ltd.

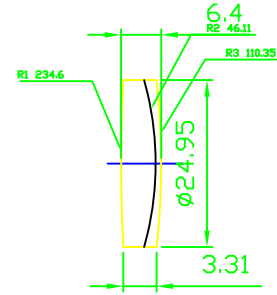
PART NO. LENS 01



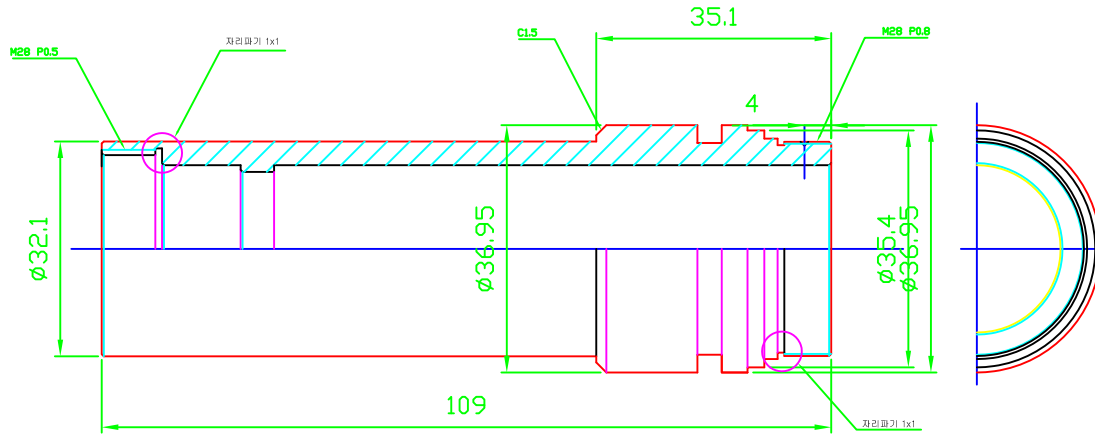
PART NO. 21



PART NO. LENS 02



PART NO. LENS 25



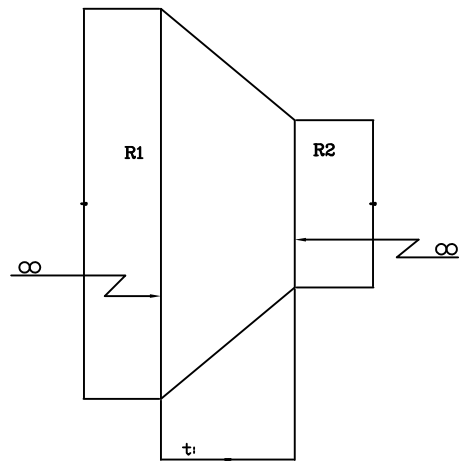
△						
△						
△						
ISSUE	REVISIONS	DRAW.BY	DESI.BY	CHKE.BY	CHKE.BY	APPR.BY

PROJCT
CCTV SYSTEM FOR TOP ROLL

TITLE
DETAIL PARTS #2

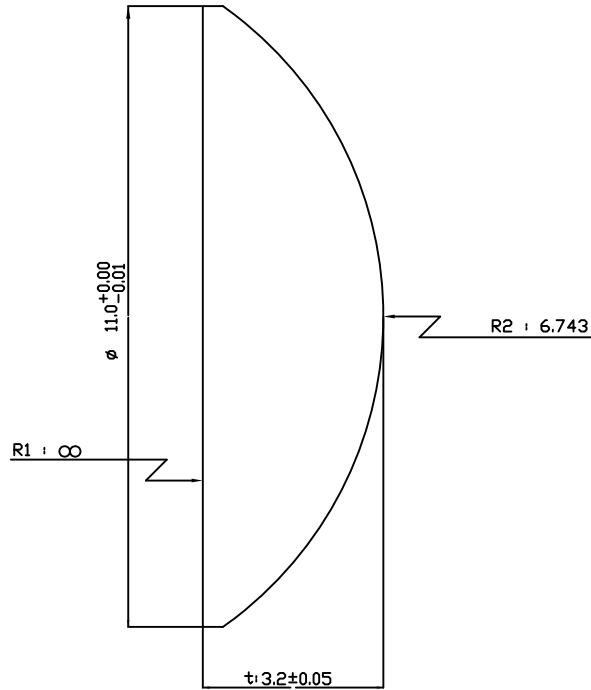
HOWON (주) 호원아이엔씨
HOWON Instrument & control Co.,Ltd.

SCALE	N	S	JOB NO		SEET.NO
DIMENSION	MM	DWG NO	HWIC-FB-CM-008	8	32



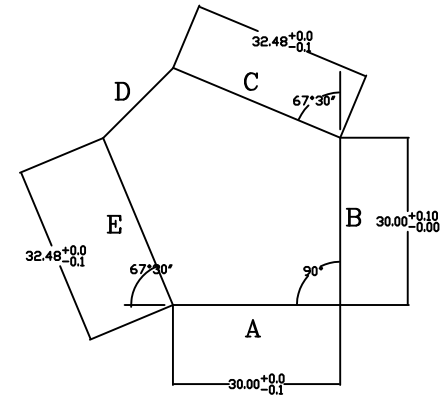
G1

재질 : 파이렉스 7740
코팅 : MULTI-COATING (R1, R2)



G-3

재질 : SK16
코팅 : MULTI-COATING (R1)



G-7

재질 : BK7
각도공차 : 5'
표면정밀도 : 60/40
코팅 : MULTI-COATING (C, D, E)
AL-COATING (A, B)

ISSUE	REVISIONS	DRAW.BY	DESI.BY	CHKE.BY	CHKE.BY	APPR.BY	

PROJCT
CCTV SYSTEM FOR TOP ROLL

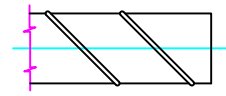
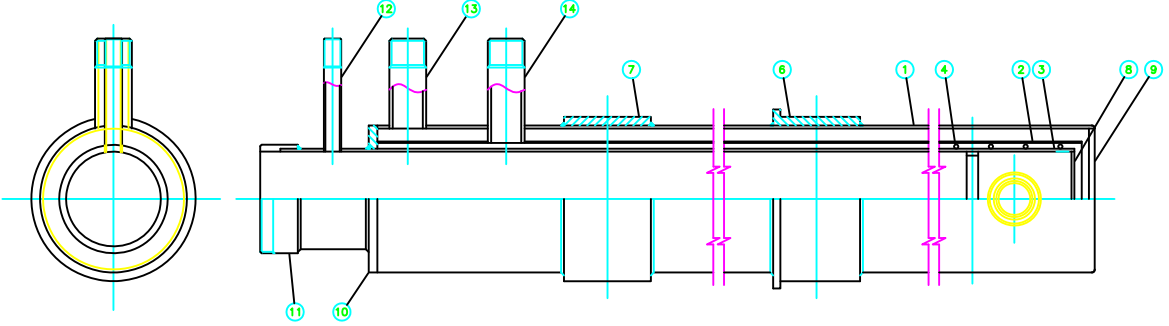
TITLE
LENS PARTS #1



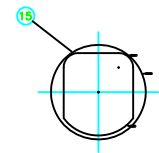
(주) 호원아이엔씨
HOWON Instrument & Control Co., Ltd.

SCALE	N	S	JOB NO		SEET. NO
DIMENSION	MM	DWG NO	HWIC-FB-CM-007		9 / 32

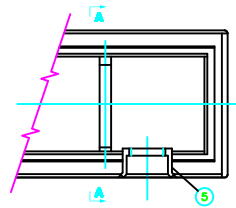
NO.	DESCRIPTION	MAT'L	SIZE	Q'TY	WEIGHT (kg)		REMARKS
					UNIT	TOTAL	
1	PIPE	SUS304	∅101.6	1			
2	PIPE	SUS304	∅79.5	1			
3	PIPE	SUS304	∅69.5	1			
4	WIRE	SUS304	∅3	1			
5	MOUMT VIEWER	SUS304		1			
6	GUIDE LOCKET	SUS304	∅123.6	1			
7	GUIDE SLEEVE	SUS304	∅113.6	1			
8	INNER COVER	SUS304		1			
9	FRONT COVER	SUS304		1			
10	COVER	SUS304		1			
11	LENS TUBE MOUNT HOLDER	SUS304		1			
12	NIPPLE	SUS304	3/8"	1			
13	NIPPLE	SUS304	1"	1			
14	NIPPLE	SUS304	1"	1			
15	LOCATION BRACKET	SUS304		1			



WIRE WELDING DETAIL
(N/S)



SECTION A-A



LENS HOLDER DETAIL

△									
△									
△									
ISSUE	REVISIONS	DRAW.BY	DESI.BY	CHKE.BY	CHKE.BY	APPR.BY			

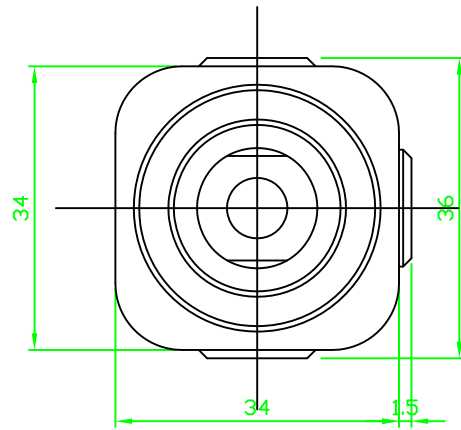
PROJCT
CCTV SYSTEM FOR TOP ROLL

TITLE
WATER JACKET

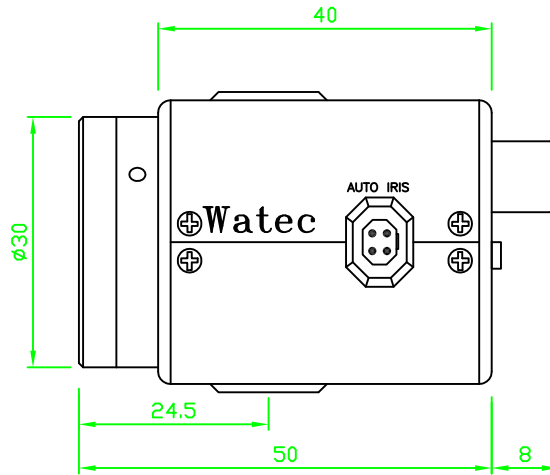


(주) 호원아이엔씨
HOWON Instrument & control Co.,Ltd.

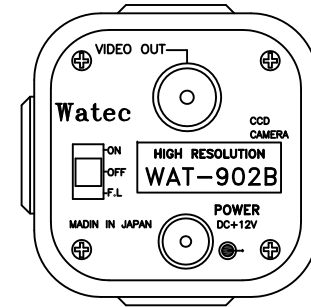
SCALE	N	S	JOB NO			SEET.NO
DIMENSION	MM	DWG NO	HWIC-FB-CM-010		10	32



FRONT VIEW



SIDE VIEW



REAR VIEW

NOTE

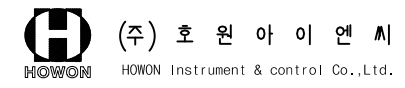
- MATERIAL : MANUFACTURE'S STANDARD
- COLOR : MANUFACTURE'S STANDARD
- QUANTITY : 20 EA

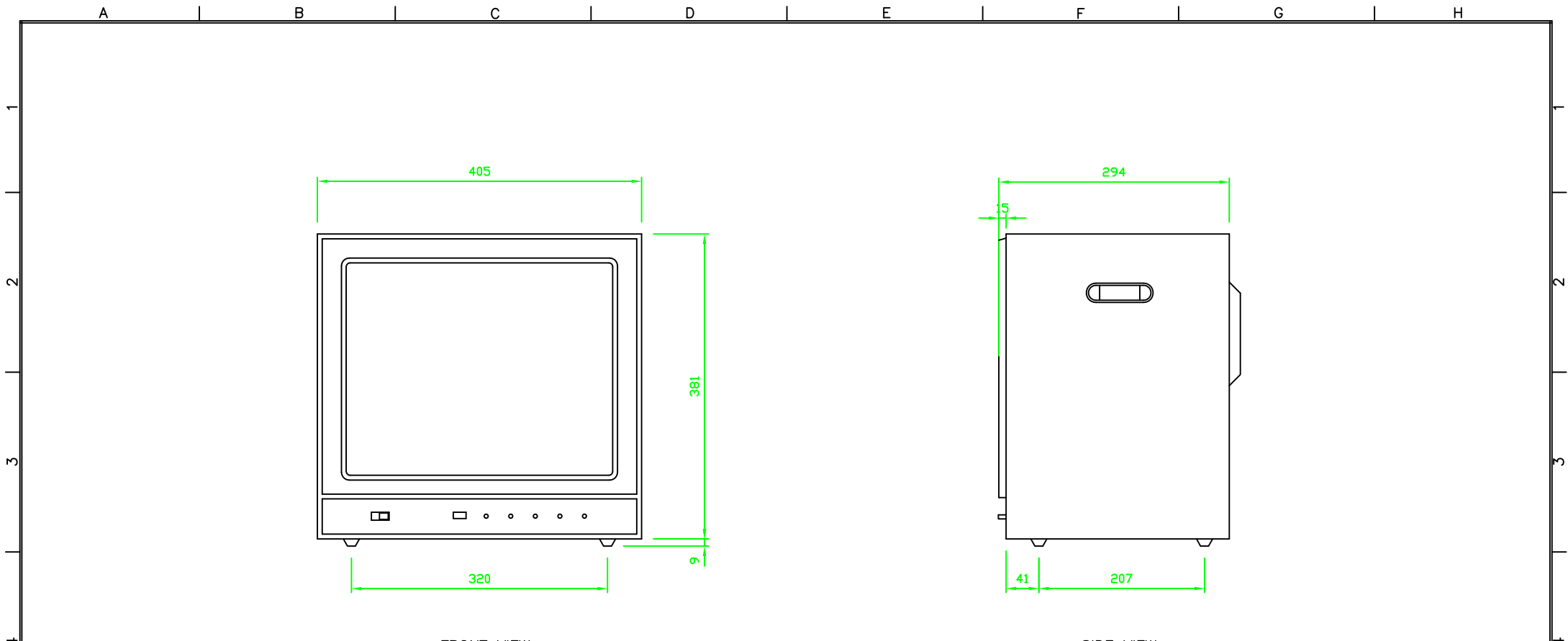
△						
△						
△						
ISSUE	REVISIONS	DRAW.BY	DESI.BY	CHKE.BY	CHKE.BY	APPR.BY

PROJCT
CCTV SYSTEM FOR TOP ROLL

TITLE
CAMERA

SCALE		N	S	JOB NO	-		SEET.NO
					-		
DIMENSION		MM	DWG NO	HWIC-FB-CM-011		11	32





FRONT VIEW

SIDE VIEW

NOTE

- PICTURE TUBE : 17"
- POWER SUPPLY : 220V AC / 60HZ
- WEIGHT: 15 KG
- QUANTITY : 20 EA

△						
△						
△						
ISSUE	REVISIONS	DRAW.BY	DESI.BY	CHKE.BY	CHKE.BY	APPR.BY

PROJCT
CCTV SYSTEM FOR TOP ROLL

TITLE
MONITOR

HOWON (주) 호원아이엔씨
HOWON Instrument & control Co.,Ltd.

SCALE	N	S	JOB NO	-	-	SEET.NO
DIMENSION	MM	DWG NO	HWIC-FB-CM-012			12 / 32